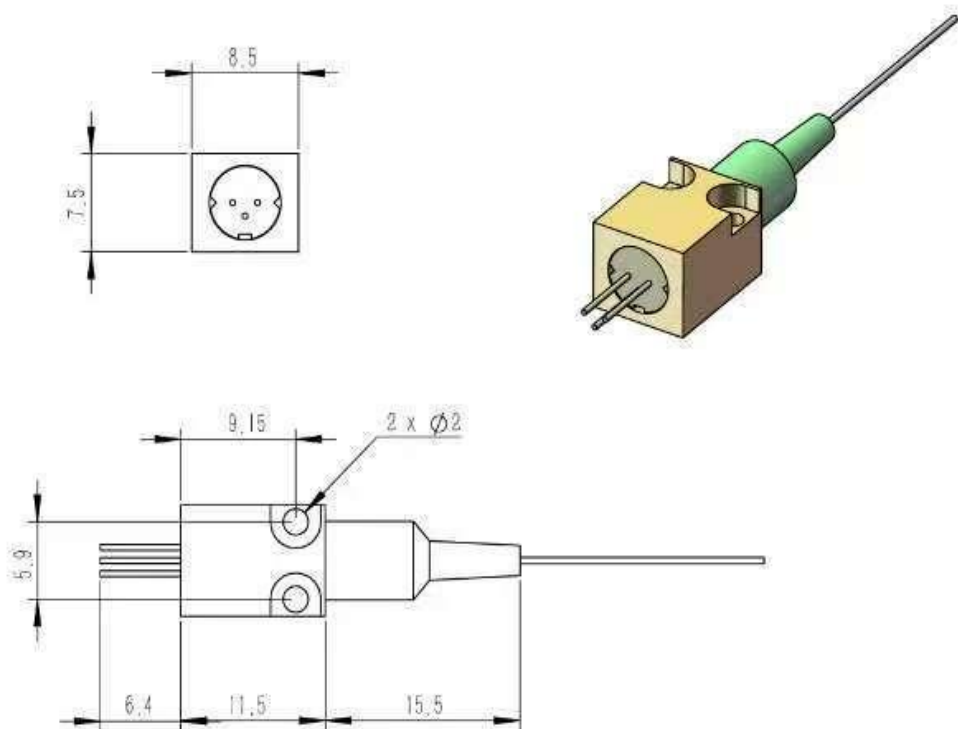


# 808 nm Single-Mode/Polarization-Maintaining Pigtail Laser

## Dimensions



### Features:

- High output power
- Excellent beam quality
- High reliability

### Applications:

- Laser pumping
- Atomic physics
- Industrial and military applications

# 808 nm Single-Mode/Polarization-Maintaining Pigtail Laser

## Specifications

Parameters	Min.	Typical	Max.	Test Conditions
<b>Optical Properties</b>				
Center Wavelength	800nm	808nm	818nm	At Po = 80mW & Tcase = 25°C
Output Power (Po)		80mW	90mW	At Tcase = 25°C, Iop = 250mA
Power Stability			±1%	
Beam Quality (M <sup>2</sup> )			1.1	
Operating Temperature (Tcase)	-10°C	25°C	45°C	Using a base with good heat dissipation.
<b>Electrical Properties</b>				
Threshold Current (Ith)		50mA	70mA	
Operating Current (Iop)		230(mA)	250(mA)	At Po = 80mW & Tcase = 25°C
Operating Voltage (Vop)		2V	2.4V	At Po = 80mW & Tcase = 25°C
Reverse Breakdown Voltage (VR)		1.5V		
<b>Fiber Type</b>				
Numerical Aperture (NA)		0.13		
Fiber Model	HI780/PM780(5/125)			Customizable
Fiber Length	>1.0 m			Customizable
Ferrule Specifications	0.9 black loose tube			Customizable
Output Connector	Bare fiber or FC/APC			Customizable
<b>Storage Conditions</b>				
Storage Humidity	5% ~ 85% RH			No condensation
Storage Temperature	-20 ~ 60°C			No condensation