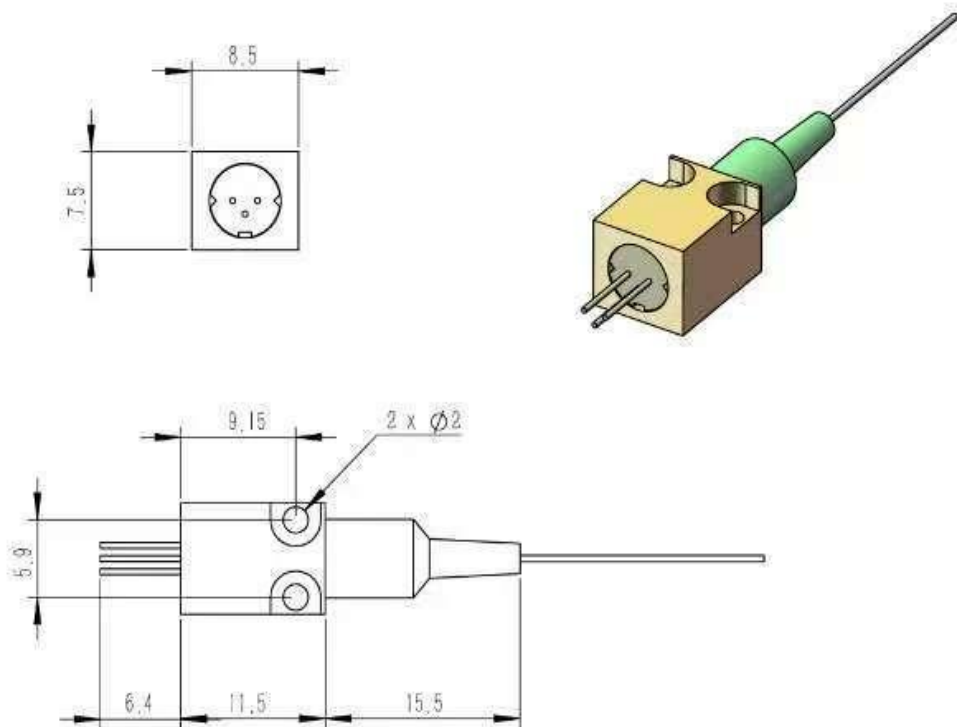


# 520 nm Single-Mode/Polarization-Maintaining Pigtail Laser

## Dimensions



### Features:

- High output power
- Excellent beam quality
- High reliability

### Applications:

- Cell Analysis
- Biometric detection
- Precision measurement

# 520 nm Single-Mode/Polarization-Maintaining Pigtail Laser

## Specifications

Parameters	Min.	Typical	Max.	Test Conditions
<b>Optical Properties</b>				
Center Wavelength	515nm	520nm	527nm	At Po = 70mW & Tcase = 25°C
Output Power (Po)		60mW	70mW	At Tcase = 25°C, Iop = 300mA
Power Stability			±1%	
Beam Quality (M <sup>2</sup> )			1.1	
Operating Temperature (Tcase)	-10°C	25°C	45°C	Using a base with good heat dissipation.
<b>电学性能</b>				
Threshold Current (Ith)		70mA	95mA	
Operating Current (Iop)		270(mA)	310(mA)	At Po = 70mW & Tcase = 25°C
Operating Voltage (Vop)		6.7V	8V	At Po = 70mW & Tcase = 25°C
Reverse Breakdown Voltage (VR)		2V		
<b>Fiber Type</b>				
Numerical Aperture (NA)		0.12		
Fiber Model	HP460/PM460(3.5/125)			Customizable
Fiber Length	>1.0 m			Customizable
Ferrule Specifications	0.9 black loose tube			Customizable
Output Connector	Bare fiber or FC/APC			Customizable
<b>Storage Conditions</b>				
Storage Humidity	5% ~ 85% RH			No condensation
Storage Temperature	-20 ~ 60°C			No condensation